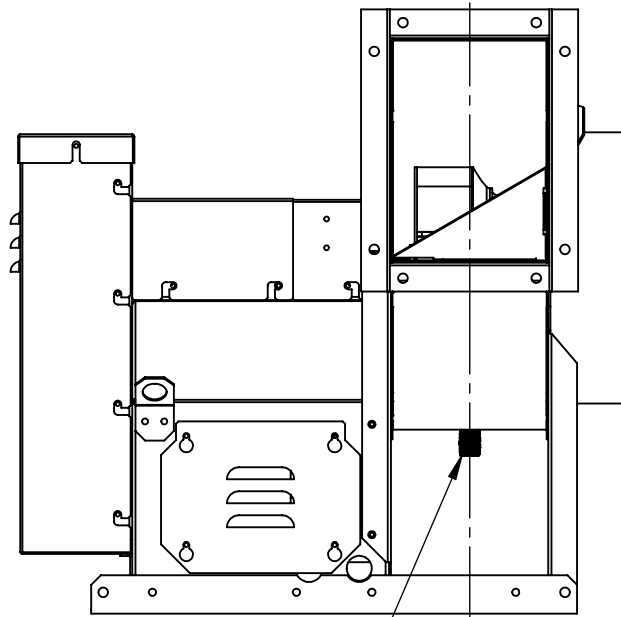


UTILITY VENT SET FAN
UVS, ACCESSORY DRAIN



3/4" NPT DRAIN TO BE LOCATED AT
LOWEST POINT ON SCROLL

NOTES:

1. DRAIN PLUG IS OPTIONAL
2. OPTIONAL GREASE COLLECTOR CAN BE MOUNTED DIRECT TO COUPLING